

# LEIBINGER

PI  
Pigmented  
Ink

100%  
protection  
**SEALTRONIC**  
trouble-free startup,  
every time



UP grade your  
marking process

**JET3 UP**

**PI**

Industrial Inkjet Printer

# Technical specifications

## PRINT PERFORMANCE/FUNCTIONS

- » Printing speed up to 10 m/s (600 m/min)
- » Printing height 1.5 to 16 mm, depending on nozzle size and head type
- » Country and industry-specific fonts: Arabic, Cyrillic, Chinese, Persian, etc.
- » Fonts: from 5x5 to 32x20, special fonts, user-programmable fonts, tower printing
- » Multi-line fonts (1 to 5 lines)
- » Fonts and graphics can be positioned and combined in the print jobs as desired
- » Proportional function for all fonts
- » Font height and font width adjustable
- » All major barcodes and DataMatrix codes (ECC200), GS1 DataMatrix (EAN/ECC), QR-Code, PPN-Code
- » Time, auto-adjustable date, auto-adjustable expiration date, weekdays, calendar weeks, Julian calendar, shift identification
- » Replacements: all date, time and counter functions can be replaced and user-programmed
- » 32 individually programmable counters, consecutive numbering, production counter, meter marking with "Meter Go" function
- » User-programmable graphics/logos can be created in the integrated editor
- » Multi-stage contrast and bold function, print repetition, print delay, backward print, rotation/mirroring of font, inverse, reverse and alternating prints (object-related)
- » Dynamic backward printing, for traversing lines
- » Programmable batch production and interlinking of multiple jobs
- » "External text" function via scanner or data interface
- » Printing variable data from external files via USB stick or data interface
- » Stop function after reaching preselected value
- » Product jam detection / monitoring of product alignment
- » Autostart function
- » Prompt function (fast edit)
- » Solvent Saving Mode
- » Self-test function

## DATA ADMINISTRATION/SECURITY

- » Data buffer in case of power failure
- » File Explorer
- » Print jobs saved with printing data and machine parameters
- » Printer data logging, production run logging
- » Up- and download of jobs and graphics using USB stick or network
- » Job select (1023 jobs selectable from scanner or PLC)

## OPERATION/DATA INPUT

- » 10.4" colour TFT touch-screen display (SVGA)
- » Creating and editing jobs during production
- » Customizable user interface
- » Available menu languages: European languages, Arabic, Chinese, Vietnamese, Thai, Korean, Cyrillic, Persian, etc.
- » Integrated font and graphic editor
- » Illustrated operator instructions
- » Alternative control using the data interface (serial or Ethernet)
- » Country-specific on-screen key pad
- » Operational available by mouse or keyboard
- » Comprehensive self-diagnostics and status display with easy-to-understand text, help function, printer status display
- » Storage of numerous jobs and graphics
- » Password function and service menu
- » Windows based interface, WYSIWYG, real-time updating of display
- » Remote control over VNC

## INTERFACES, INPUTS/OUTPUTS

- » Product detector PNP/NPN 24V, FIFO buffer
- » Shaft encoder input for printing speed synchronisation (TTL 5V, HTL 24V, RS422, 5V)
- » 9 digital inputs and 8 outputs, user-selectable
- » Printer alarm, low fluid, print ready, print finished, external job selection etc.
- » Serial interface RS232 up to 115200 baud
- » USB port
- » Ethernet (industry standard M12D), script protocol
- » Sensor for product monitoring and speed measurement
- » Option: Special interface to connect several printers

## LEIBINGER HYDRAULIC SYSTEM

- » Low maintenance, diaphragm pumps with optimized run time
- » Fully automatic viscosity and pressure control
- » Thermally isolated hydraulics
- » No external supply of compressed air is required
- » Automatic daily interval function (Auto ink circulation)
- » Integrated agitator

## PRINT HEAD

- » Flexible umbilical, length: 3 m, optional: 6 m or 10 m
- » Stainless steel cabinet
- » Fully automatic nozzle and gutter seal "Sealtronic"
- » Fully automatic drop charging, drop break off control
- » Nozzle size from 60 µm to 70 µm
- » Upside down - 360° operation
- » Safety switch for print head locking
- » Options: Head ventilation, 45° to 90° bent umbilical, various print head versions
- » Automatic inkjet monitoring

## FLUID RESERVOIRS

- » Capacity of the ink and solvent tanks are 1.3 liters, refillable while printing
- » Level gauge with fully automated monitoring
- » Remaining prints are displayed

## INKS

- » Ink consumption: up to 120 million characters/l. (matrix 5x5/nozzle 60 µm)
- » Fast-drying solvents inks (<1sec)
- » Variety of pigmented contrast inks (opaque inks)
- » MEK-free inks
- » Temperature-resistant inks (up to 1000°C)
- » PVC inks (vinyl inks/transfer-resistant inks)
- » UV-curable, halogen-free and aviation-approved inks
- » Custom special inks
- » Ink colors: black, white, yellow, blue, orange, silver-grey

## WEIGHTS AND PROTECTION CLASS

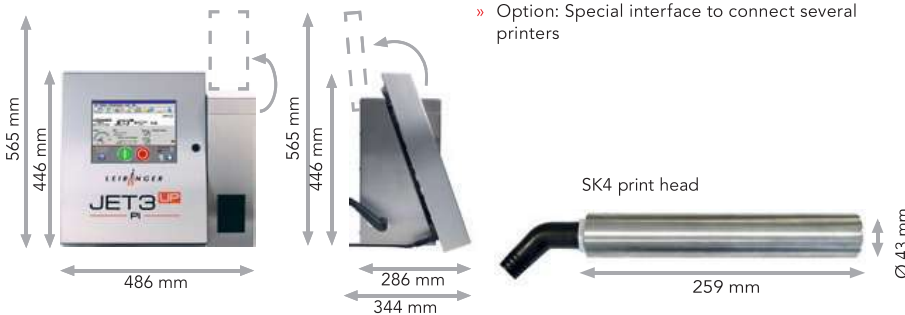
- » Weight: print head 1.5 kg, cabinet 20.5 kg
- » Protection class: IP 54 (option: IP 65)

## SUPPLIES AND ENVIRONMENTAL CONDITIONS

- » 100-240 V, 50-60 Hz, typical 20 VA
- » Temperature range +5°C to +45°C
- » Relative humidity max. 90%, non-condensing
- » No external air pressure necessary

## ACCESSORIES

- » Product detector, shaft encoders, printer stand, print head bracket, alarm lamps etc.
- » Software for remote control, multi-head control



Errors and changes reserved. All logos and brands used are registered trademarks or brands of the manufacturer.

# LEIBINGER

Paul Leibinger GmbH & Co. KG  
 Daimlerstr. 14 | D-78532 Tuttlingen | Germany  
 Tel. +49 (0)7461 9286-0  
 Fax +49 (0)7461 9286-199

www.leibinger-group.com



## LOCAL DISTRIBUTOR CONTACT:

JET3upPI-E-001